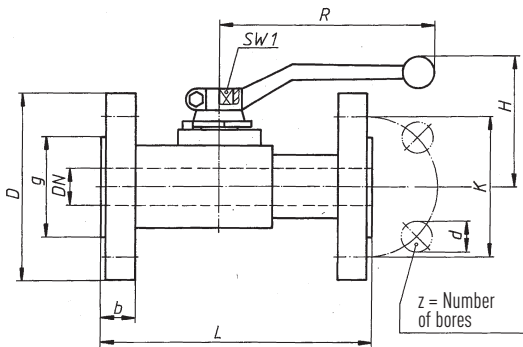




DN 15-25 ▲



DN 65-100 ▲



Materials	PN	DN	
Body	10-40	15-25	Steel
	63	65-100	Steel
Ball	10-40	15-25	Steel, hard chromed
	63	65-100	Spheroidal cast iron, hard chromed
Seals	10-40	15-25	PTFE
	63	65-100	PTFE

Please quote order-no.:  
**FZL V XXX.XXX**



- DN 15-25: one-piece body.
- DN 65-100: two-piece body.
- With DIN DVGW acceptance for gas.
- The handle is included
- Ball valves with PTFE seals are normally delivered with FPM O-rings.
- Special designs upon requests.

**Also available in Fire-Safe version with test certificate according to BS 6755 and/or with TÜV component approval**

Flange dimensions DIN 2501 page 1	DN	PN	L	D	g	K	b	z	d	H	R	SW 1	Mass	Order-No.
	mm	bar	mm	mm	mm	mm	mm	mm	mm	mm	mm	mm	kg	
<b>PN 10-25</b> Flanged ends raised face*	15	25	130	95	45	65	16	4	14	93	130	10	2,5	FZL V 025.015
	20	25	150	105	58	75	18	4	14	90	180	10	3,3	FZL V 025.020
	25	25	160	115	68	85	18	4	14	93	180	12	4,2	FZL V 025.025
<b>PN 40</b> Flanged ends raised face*	15	40	130	95	45	65	16	4	14	93	130	10	2,5	FZL V 040.015
	20	40	150	105	58	75	18	4	14	90	180	10	3,3	FZL V 040.020
	25	40	160	115	68	85	18	4	14	93	180	12	4,2	FZL V 040.025
<b>PN 63</b> Flanged ends raised face*	65	63	290	205	122	160	26	8	22	146	300	16	22,5	FZL V 063.065
	80	63	310	215	138	170	28	8	22	160	500	22	35,0	FZL V 063.080
	100	63	350	250	162	200	30	8	26	175	500	22	41,0	FZL V 063.100

\* Further types of flange gasket facings on demand