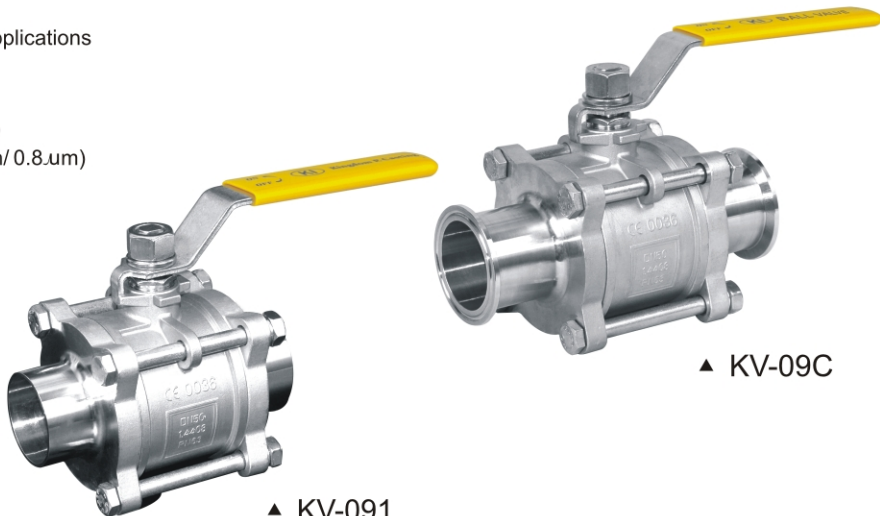


FEATURES:

- For Food, Dairy and General Chemical Service Applications
- Blow-out Proof Stem
- Cavity Filled Seat Design
- Castings Approved by TÜV AD 2000-Merkllate W0
- Internal Polished Body and Ball Surface (Ra 32.µin/ 0.8µm)

STANDARDS:

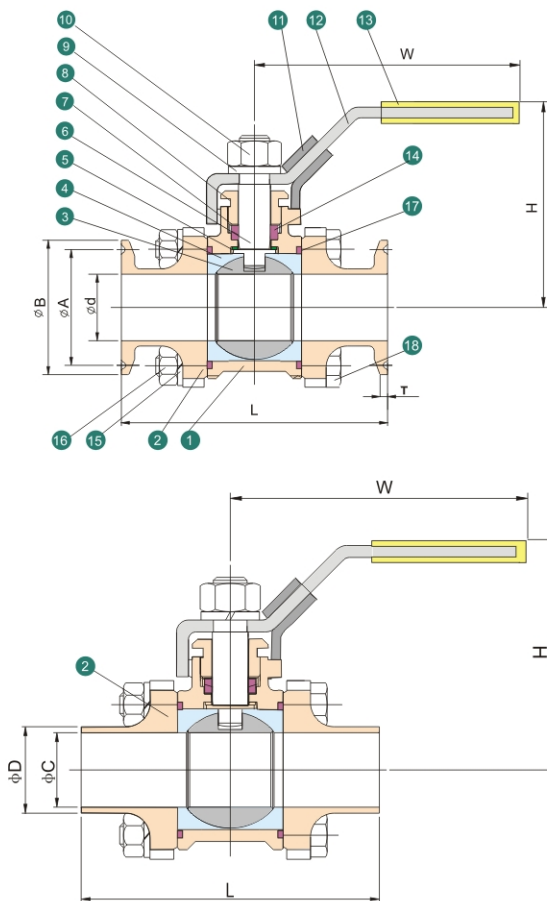
- Design: ASME B16.34, API 608
- Wall Thickness: ASME B16.34
- KV-09C/I (Clamp Ends): ISO 2852
- KV-09C/B (Clamp Ends): ASME BPE, BS 4825
- KV-091/I (Butt Weld Ends): ISO 2852 & ISO 2037
- KV-091/B (Butt Weld Ends): ASME BPE, BS 4825
- Inspection & Testing: MSS SP-110, EN 12266



SPECIFICATIONS:

- Working Pressure: 400 psig (25 Bar) at 38°C (100°F)
- Temperature Range: -29°C to 200°C (-20°F to 392°F)

| NO. | PART NAME | MATERIALS | | |
|-----|----------------|-----------------|---------|---------|
| | | CF3M | CF8M | CF8 |
| 1 | Body | CF3M | CF8M | CF8 |
| 2 | Cap (Clamp) | CF3M | CF8M | CF8 |
| | Cap (Welding) | CF3M | CF3M | |
| 3 | Ball | CF3M | CF8M | CF8 |
| 4 | Ball Seat | PTFE / TFM 1600 | | |
| 5 | Thrust Washer | PTFE | | |
| 6 | Stem | SUS 316L | SUS 316 | SUS 304 |
| 7 | Bushing | 50%SS+50%PTFE | | |
| 8 | Gland Nut | SUS 304 | | |
| 9 | Stem Washer | SUS 304 | | |
| 10 | Stem Nut | A194-8 | | |
| 11 | Locking Device | SUS 304 | | |
| 12 | Handle | SUS 304 | | |
| 13 | Handle Sleeve | Vinyl Plastic | | |
| 14 | V-Ring Packing | PTFE | | |
| 15 | Bolt Washer | SUS 304 | | |
| 16 | Bolt | A193-B8 | | |
| 17 | Body Gasket | PTFE | | |
| 18 | Bolt Nut | A194-8 | | |



| DIMENSIONS | | ISO 2852 & ISO 2037 | | | | | | BS 4825 & ASME BPE | | | | | | Unit: mm | | |
|------------|----|---------------------|------|------|------|------|------|--------------------|------|------|-------|-------|------|----------|-------|-------|
| SIZE | DN | φd | φA | φB | φC | φD | T | φd | φA | φB | φC | φD | T | L | W | H |
| 1/2" | 15 | 10.7 | 27.5 | 34.0 | 10.7 | 12.7 | 2.85 | 9.50 | 20.3 | 25.4 | 9.50 | 12.70 | 3.70 | 90 | 100.0 | 58.9 |
| 3/4" | 20 | 15.2 | 27.5 | 34.0 | 15.2 | 17.2 | 2.85 | 15.85 | 20.3 | 25.4 | 15.85 | 19.05 | 3.70 | 90 | 129.0 | 64.0 |
| 1" | 25 | 22.6 | 43.5 | 50.5 | 22.6 | 25.0 | 2.85 | 22.20 | 43.5 | 50.5 | 22.20 | 25.40 | 2.85 | 100 | 156.0 | 77.0 |
| 1-1/4" | 32 | 31.3 | 43.5 | 50.5 | 31.3 | 33.7 | 2.85 | - | - | - | - | - | - | 110 | 156.0 | 81.0 |
| 1-1/2" | 40 | 35.6 | 43.5 | 50.5 | 35.6 | 38.0 | 2.85 | 34.90 | 43.5 | 50.5 | 34.90 | 38.10 | 2.85 | 125 | 182.5 | 94.0 |
| 2" | 50 | 48.6 | 56.5 | 64.0 | 48.6 | 51.0 | 2.85 | 47.60 | 56.5 | 64.0 | 47.60 | 50.80 | 2.85 | 150 | 182.5 | 104.5 |
| 2-1/2" | 65 | 60.3 | 70.5 | 77.5 | 60.3 | 83.5 | 2.85 | 60.30 | 70.5 | 77.5 | 60.30 | 63.50 | 2.85 | 190 | 252.0 | 131.0 |
| 3" | 80 | 72.9 | 83.5 | 91.0 | 72.9 | 76.1 | 2.85 | 73.00 | 83.5 | 91.0 | 73.00 | 76.20 | 2.85 | 220 | 252.0 | 139.0 |